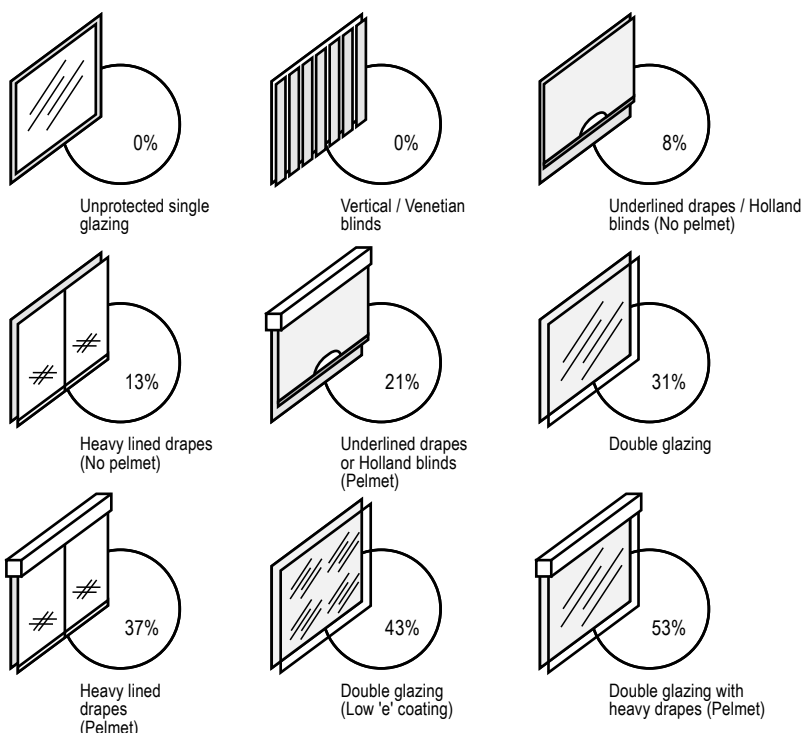




## Windows

Windows allow heat as well as light to pass into a room. Your heating and cooling costs will increase if you have to remove the unwanted heat that comes through the window in the summer, and replace the wanted heat that escapes through the glass in winter.

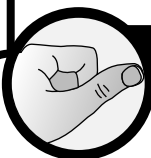
The diagrams below show the percentage benefits that may be achieved through installing different types of window treatments.



### Window Energy Rating Scheme (WERS)

Developments in window technology have resulted in the availability of windows with improved heat loss and gain characteristics. The Australian Window Council have assessed the performance of 27 different types of windows and have awarded them a star rating according to their heating and cooling performance.

(See over for diagram.)



### RULE OF THUMB

Always remember that although a traditional aluminium window frame only represents 15% of the area of the window, this type of frame transmits up to 25% of the heat passing through the window.